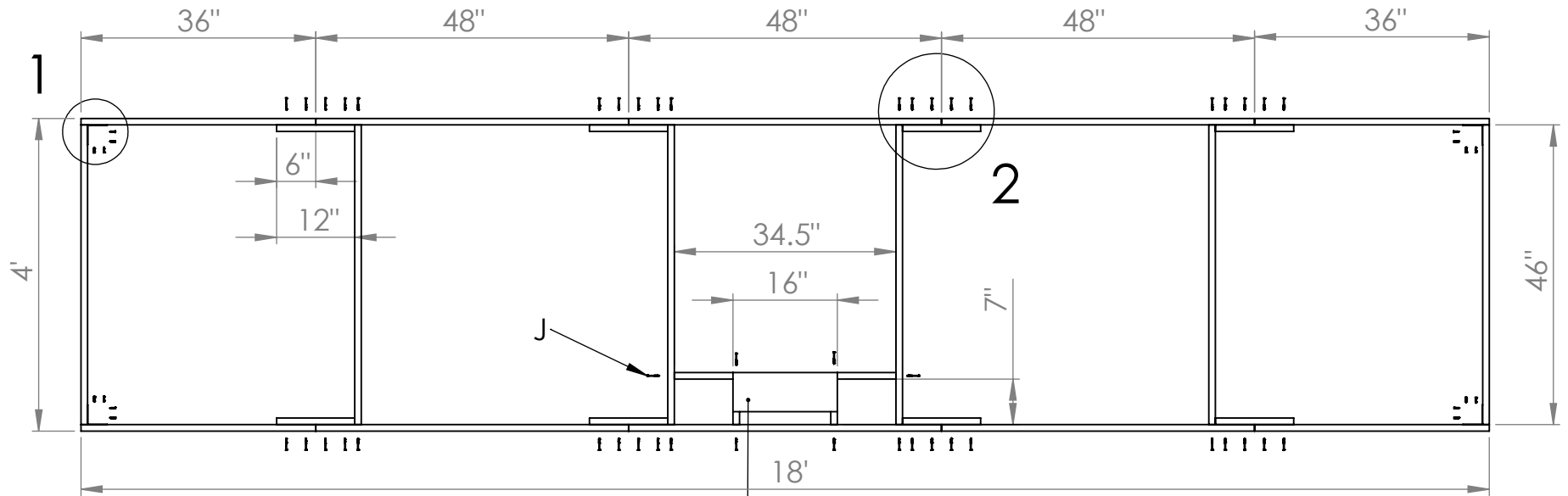
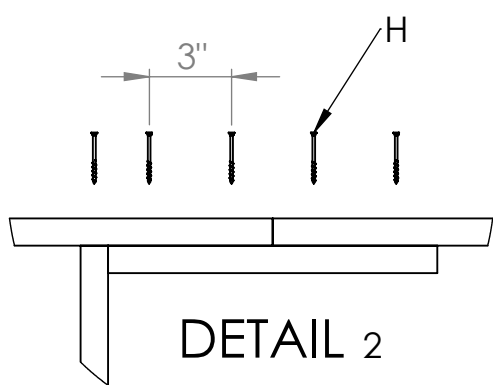
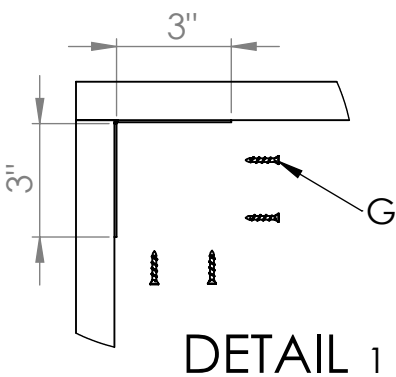


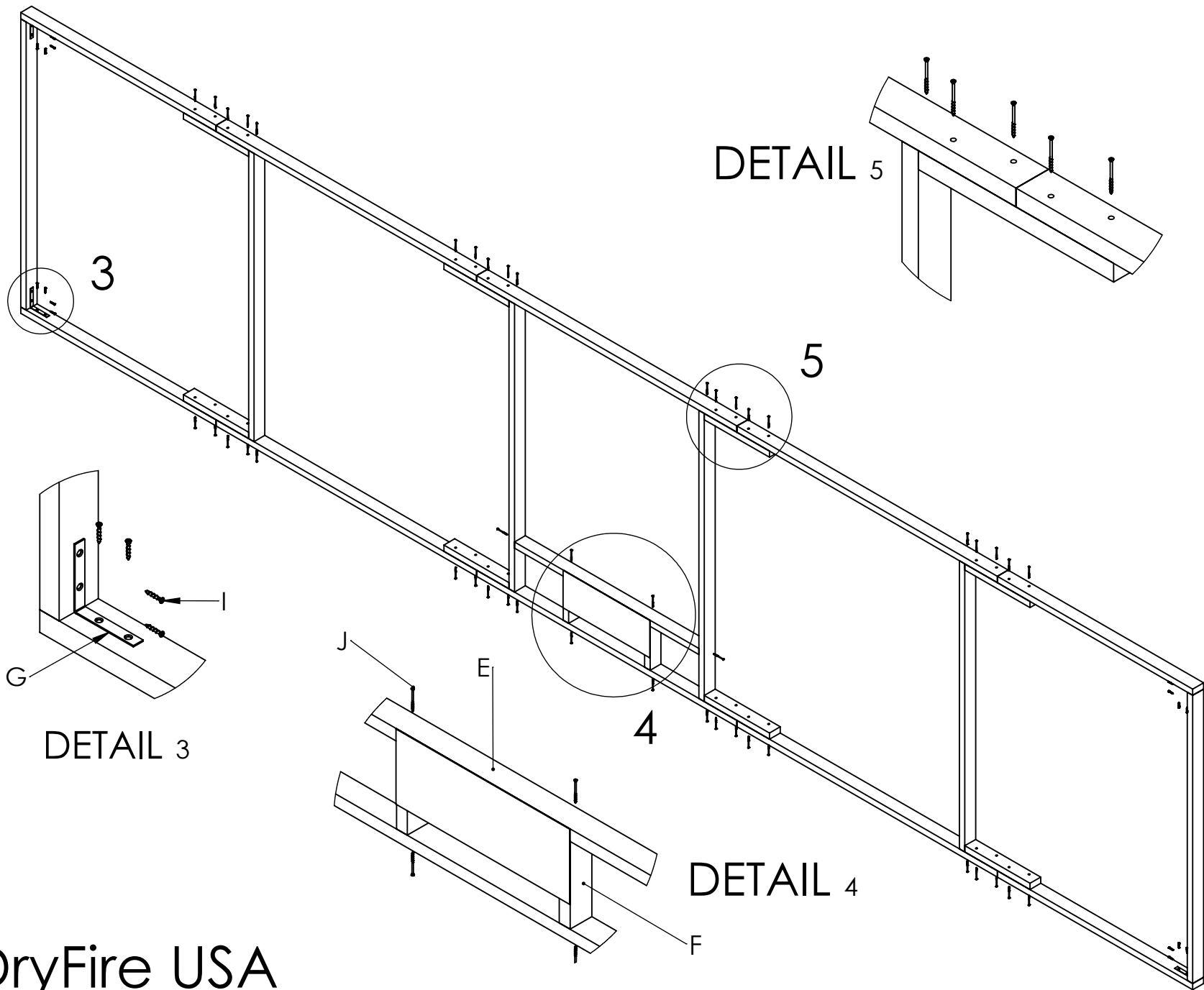
18 ft. Canvas Frame



MOUNTING PLATE (J)
MAY BE TAPED OR GLUED.

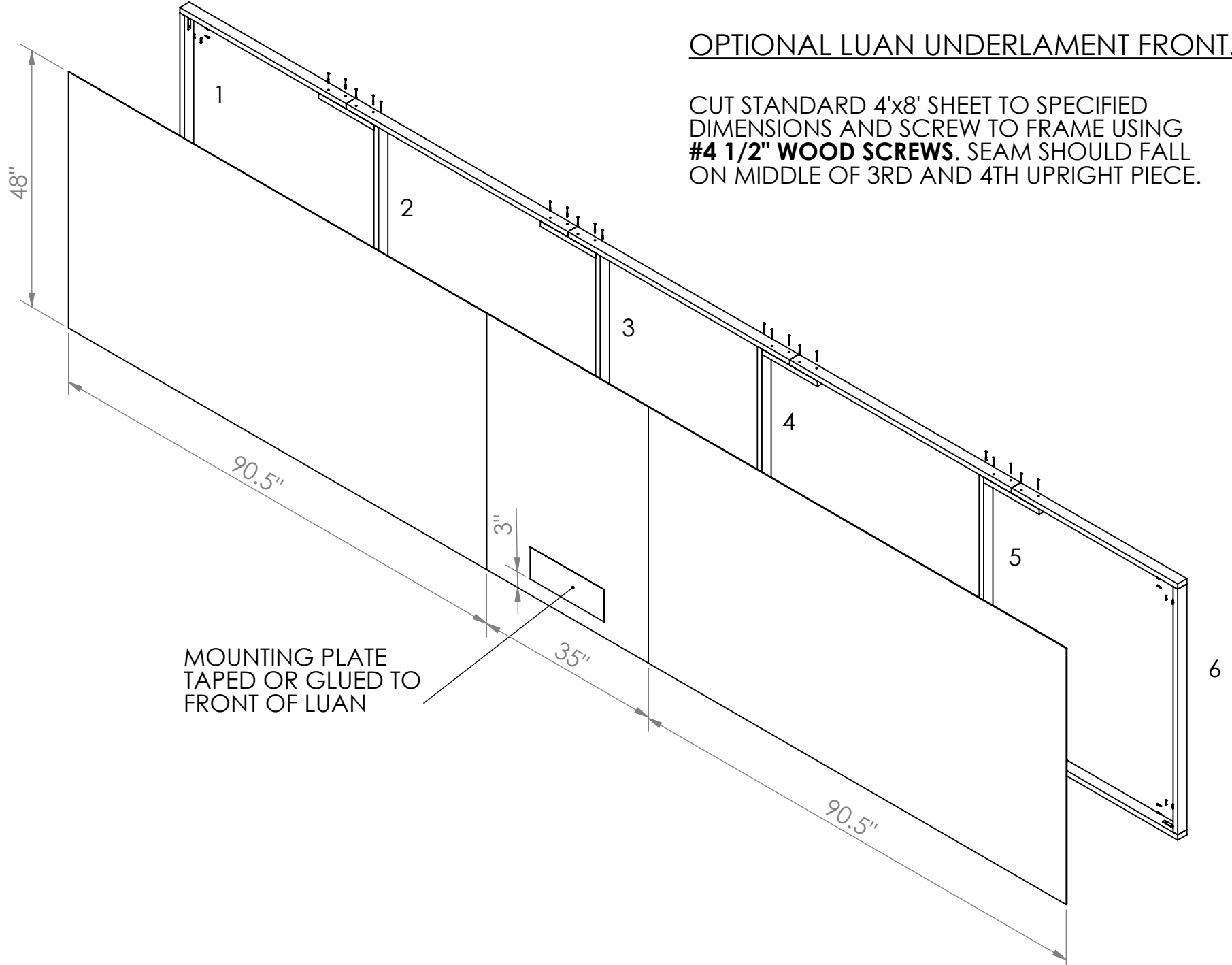


ITEM NO.	PART	QTY.
A	1" x 2" x 46"	6
B	1" x 2" x 48"	6
C	1" x 2" x 36"	4
D	1" x 2" x 12"	8
E	1" x 2" x 34.5"	1
F	1" x 2" x 7"	2
G	3" corner brace	4
H	Traphouse mounting plate	1
I	#7 or #8 1/2" screw	16
J	#6 or #7 1-1/4" screw	46



OPTIONAL LUAN UNDERLAMENT FRONT.

CUT STANDARD 4'x8' SHEET TO SPECIFIED DIMENSIONS AND SCREW TO FRAME USING **#4 1/2" WOOD SCREWS**. SEAM SHOULD FALL ON MIDDLE OF 3RD AND 4TH UPRIGHT PIECE.



MOUNTING PLATE
TAPED OR GLUED TO
FRONT OF LUAN