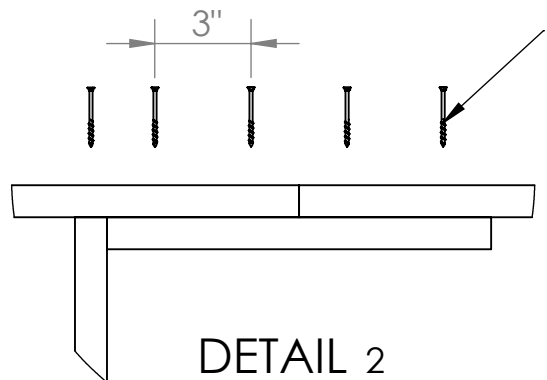
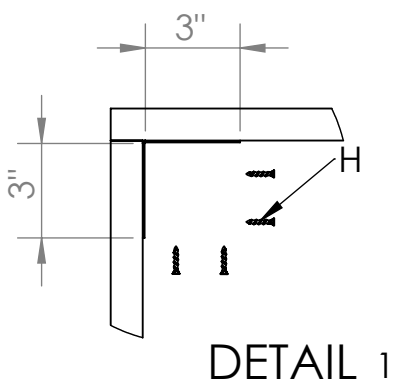
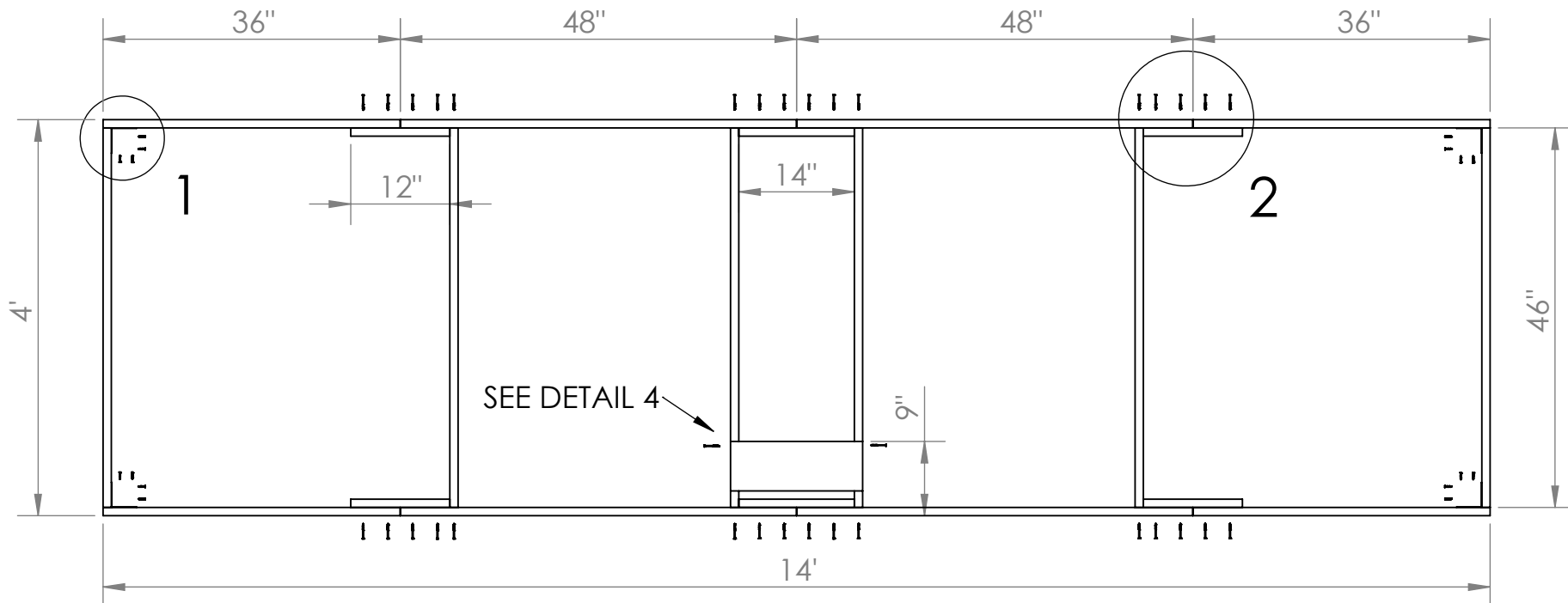
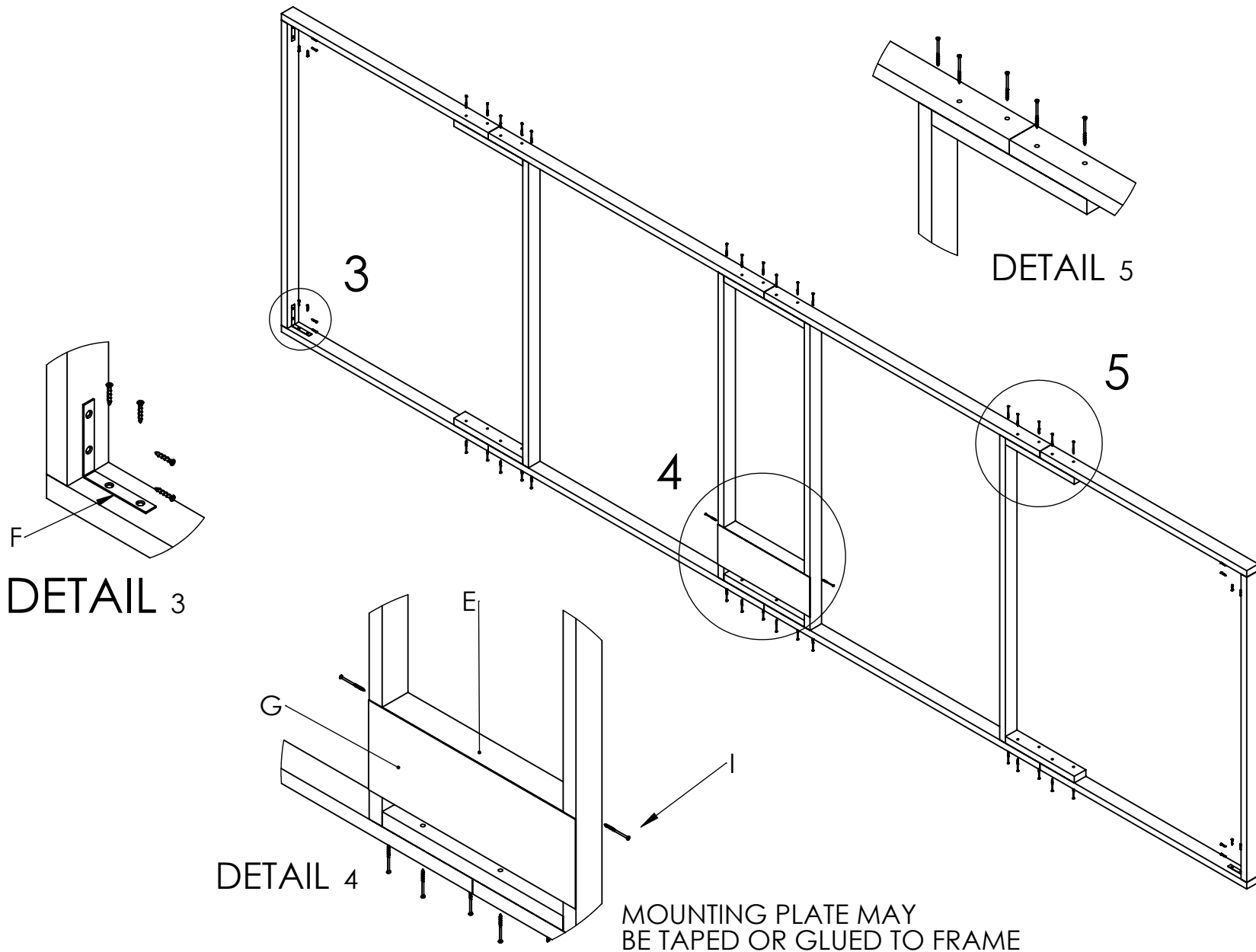


14ft. Canvas Frame



ITEM NO.	PART	QTY.
A	1" x 2" x 46"	6
B	1" x 2" x 48"	4
C	1" x 2" x 36"	4
D	1" x 2" x 12"	4
E	1" x 2" x 14"	3
F	3" corner brace	4
G	Traphouse mounting plate	1
H	#7 or #8 1/2" screw	16
I	#6 or #7 1-1/4" screw	34



OPTIONAL LUAN UNDERLAMENT FRONT.

CUT STANDARD 4'x8' SHEET TO SPECIFIED DIMENSIONS AND SCREW TO FRAME USING **#4 1/2" WOOD SCREWS**. SEAM SHOULD FALL ON MIDDLE OF 4TH UPRIGHT PIECE.

